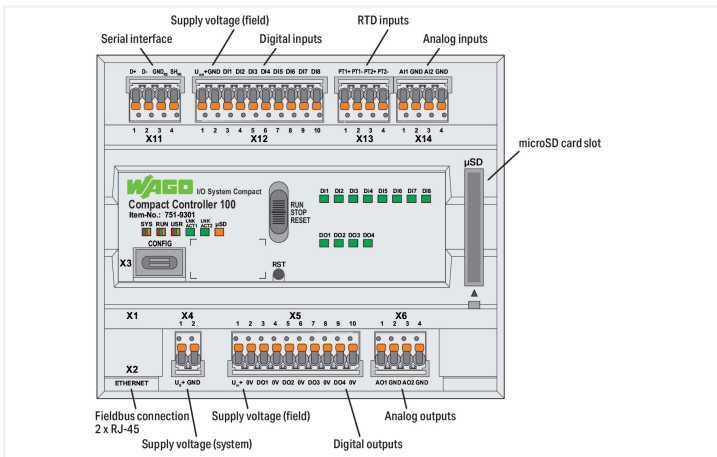
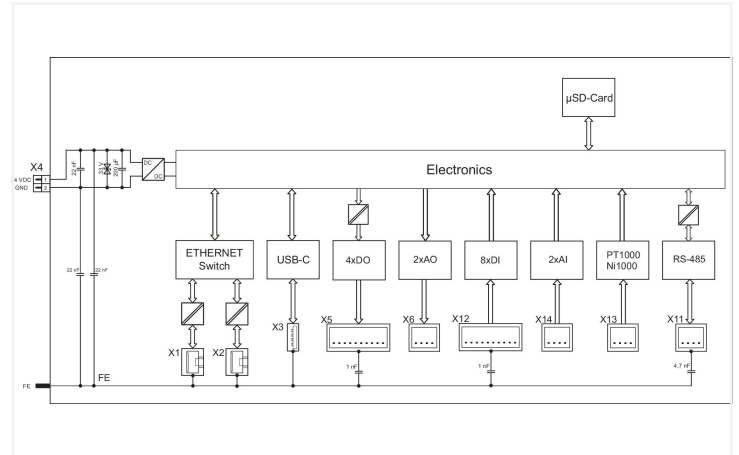


<https://www.wago.com/751-9301>



### Technical data

|                                       |  |
|---------------------------------------|--|
| Communication                         | Modbus (TCP, UDP)<br>EtherCAT® Master<br>EtherNet/IP™ Adapter (slave)<br>EtherNet/IP™ Scanner<br>Modbus® RTU<br>RS-485 interface<br>MQTT<br>Telecontrol protocols (requires an additional license on the device) |
| ETHERNET protocols                    | DHCP<br>DNS<br>NTP<br>FTP<br>FTPS<br>SNMP<br>HTTP<br>HTTPS<br>SSH  |
| Visualization                         | Web-Visu   |
| Operating system                      | Real-time Linux (with RT-Preempt patch)  |
| CPU                                   | Cortex A7; 650 MHz   |
| Programming languages per IEC 61131-3 | Instruction List (IL)<br>Ladder Diagram (LD)<br>Function Block Diagram (FBD)<br>Continuous Function Chart (CFC)<br>Structured Text (ST)<br>Sequential Function Chart (SFC)                                       |
| Programming environment               | CODESYS V3.5<br>Node RED   |

## Technical data

|  |  |
|--|--|
| Configuration options                        | CODESYS V3.5<br>ETHERNET Settings<br>Web-Based Management<br>WAGOupload<br>WAGO Solution Builder   |
| Baud rate (communication/fieldbus 1)         | 10/100 Mbit/s  |
| Baud rate                                    | ETHERNET: 10/100 Mbit/s  |
| Transmission medium (communication/fieldbus) | ETHERNET: Twisted pair S-UTP; 100 Ω; Cat. 5; 100 m maximum cable length  |
| Main memory (RAM)                            | 512 MB   |
| Internal memory (flash)                      | 4096 MB  |
| Non-volatile hardware memory                 | 128 KB   |
| Program memory                               | 32 MB  |
| Data memory                                  | 128 MB   |
| Non-volatile software memory                 | 128 KB   |
| Type of memory card                          | microSD up to 32 GB (all guaranteed properties only valid with WAGO's memory card)   |
| Memory card slot                             | Push-push mechanism  |
| Indicators                                   | LED (SYS, RUN), red/green: Status of system; LED (USR) red/green: User programmable status (can be used via CODESYS library); LED (SD) orange: Status of μSD; LED (LNK/ACT) green: Network connection via ports 1 ... 2; LED (DI1 ... 8) green: Status of inputs; LED (DO1 ... 4) green: Status of outputs |
| Controls                                     | Operating mode switch (RUN, STOP, RESET); reset button   |
| Supply voltage (system)                      | 24 VDC (-15 ... +20 %); via pluggable connector ( <i>picoMAX</i> ® 3.5; Push-in CAGE CLAMP® connection)  |
| Current consumption (system) max.            | 500 mA   |
| Supply voltage (field)                       | 24 VDC (-15 ... +20 %); via pluggable connector ( <i>picoMAX</i> ® 3.5; Push-in CAGE CLAMP® connection)  |
| Current consumption (field) max.             | 2000 mA  |
| Isolation                                    | 1250 V (DC 1 min., between system and field level)   |
| Number of digital inputs                     | 8  |
| Input characteristic                         | Type 3 (per EN 61131-2)  |
| Number of digital outputs                    | 4  |
| Output current (per channel)                 | 500 mA (DC)  |
| Output current                               | short-circuit-protected  |
| Signal type                                  | Voltage<br>Resistance measurement  |
| Signal type (voltage)                        | 0 ... 10 VDC   |
| Number of analog inputs                      | 2  |
| Resolution of analog inputs                  | 16 bits  |
| Number of analog outputs                     | 2  |
| Resolution of analog outputs                 | 12 bits  |
| Load impedance (voltage output)              | ≥ 5 kΩ   |
| Number of measurement inputs                 | 2  |
| Temperature range                            | -60 °C ... 350 °C, PT1000, Ni1000  |

## Connection data

|   |   |
|---|---|
| Connection technology: communication/fieldbus | Modbus (TCP, UDP): 2 x RJ-45; RS-485 interface: 1 x Female connector, 4-pole; Push-in CAGE CLAMP® |
| Connection technology: system supply          | 1 x Female connector, 2-pole; Push-in CAGE CLAMP®   |
| Connection technology: field supply           | 2 x Female connector, 10-pole; Push-in CAGE CLAMP®  |
| Solid conductor                               | 0.2 ... 1.5 mm² / 24 ... 14 AWG   |
| Fine-stranded conductor                       | 0.2 ... 1.5 mm² / 24 ... 14 AWG   |
| Strip length                                  | 8 ... 9 mm / 0.31 ... 0.35 inches   |

### Physical data

|                                   |                       |
|-----------------------------------|-----------------------|
| Width                             | 108 mm / 4.252 inches |
| Height                            | 90 mm / 3.543 inches  |
| Depth from upper-edge of DIN-rail | 55 mm / 2.165 inches  |

### Mechanical Data

|                    |                         |
|--------------------|-------------------------|
| Weight             | 348 g                   |
| Housing material   | Polycarbonate, polyamid |
| Conformity marking | CE; UKCA                |

### Environmental requirements

|  |                              |
|--|------------------------------|
| Ambient temperature (operation)          | -25 ... +60 °C               |
| Surrounding air temperature (storage)    | -40 ... +85 °C               |
| Protection type                          | IP20                         |
| Pollution degree                         | 2 per IEC 61131-2            |
| Operating altitude                       | 0 ... 2000 m / 0 ... 6562 ft |
| Relative humidity (without condensation) | 95 %                         |
| Mounting position                        | any                          |
| Mounting type                            | DIN-35 rail                  |
| Vibration resistance                     | 1g per IEC 60068-2-6         |
| Shock resistance                         | 15g per IEC 60068-2-27       |
| EMC immunity to interference             | per EN 61000-6-2             |
| EMC emission of interference             | per EN 61000-6-3             |
| Fire load                                | 0 MJ                         |

### Commercial data

|                       |               |
|-----------------------|---------------|
| ETIM 8.0              | EC000236      |
| ETIM 7.0              | EC000236      |
| PU (SPU)              | 1 pcs         |
| Country of origin     | DE            |
| GTIN                  | 4066966192865 |
| Customs tariff number | 85371091990   |