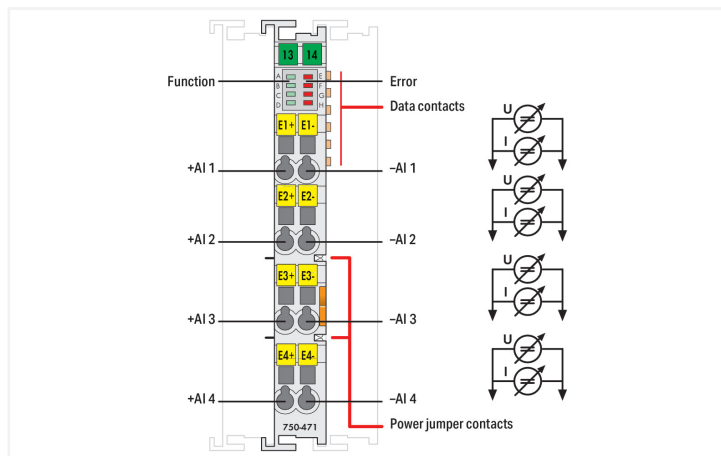
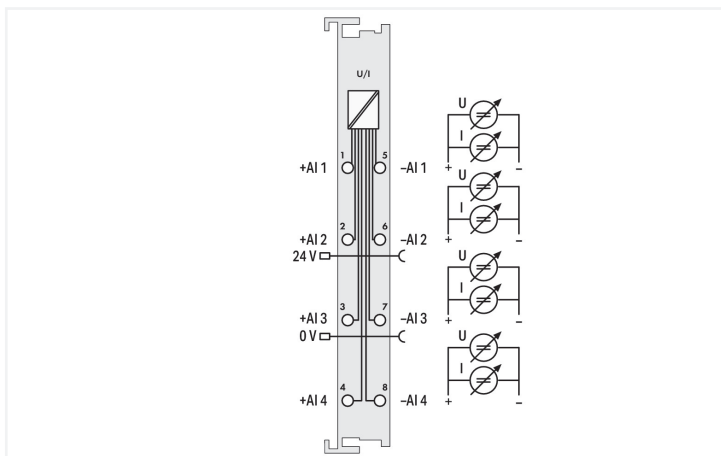
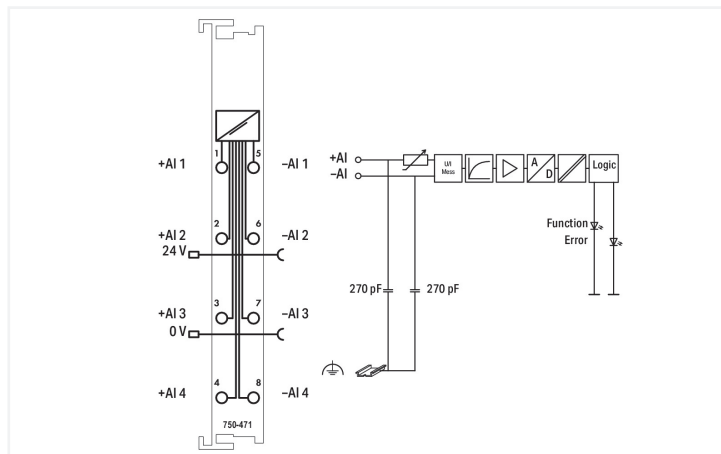


# Data Sheet | Item Number: 750-471

4-channel analog input; Voltage/Current; Differential input; 16 bits; Diagnostics



<https://www.wago.com/750-471>



This analog input module processes both voltage and current differential signals.

- 0 ... 20 mA, 4 ... 20 mA, 3.6 ... 21 mA NE43,  $\pm 20$  mA, 0 ... 10 V,  $\pm 10$  V,  $\pm 200$  mV
- Channel-wise parameterizable measurement ranges
- Electrically isolated channels
- 16-bit resolution

A wire break, overload or out-of-measurement range are indicated channel by channel via red LED depending on the set measurement range. The module can be configured via GSD file, **e!COCKPIT** and **WAGO-I/O-CHECK**.

## Technical data

Number of analog inputs	4
Total number of channels (module)	4
Signal type	Voltage Current
Signal type (current)	0 ... 20 mADC; 4 ... 20 mADC; 3.6 ... 21 mADC; -20 ... +20 mADC
Signal type (voltage)	0 ... 10 VDC; -10 ... +10 VDC; -0.2 ... +0.2 VDC
Signal type (configurable)	Yes
Sensor connection	4 x (2-wire)
Input filter	50 Hz; 60 Hz; filter off
Input voltage (max.)	31.2 VDC
Signal characteristics	Differential
Diagnostics	Measurement range overflow/underflow; wire break in operating mode 4 ... 20 mA and 3.6 ... 21 mA NE43; overload in operating mode 0 ... 20 mA, 4 ... 20 mA, $\pm 20$ mA, 3.6 ... 21 mA NE43
Resolution [bit]	16 bits
Input resistance (max.)	120 $\Omega$

### Technical data

Data width	4 x 16-bit data; 4 x 8-bit control/status (optional)
Internal resistance	100 kΩ
Conversion time (typ.)	10 ms
Conversion time	Exception: The ±200 mV measurement range has a conversion time of 10 s and is therefore only suitable for slow systems.
Reference for measurement error	Input ranges
Measurement error (reference temperature)	25 °C
Measurement error, deviation (max.) from the upper-range value	0.1 %
Reference for measurement error (2)	±200 mV
Measurement error, reference temperature (2)	25 °C
Measurement error, deviation (max.) of the upper-range value (2)	0.3 %
Temperature error (max.) of the upper-range value	0.01 %/K
Configuration options	WAGO-I/O-CHECK CODESYS Library e!COCKPIT
Supply voltage (system)	5 VDC; via data contacts
Current consumption (5 V system supply)	100 mA
Supply voltage (field)	24 VDC; via power jumper contacts (power supply via blade contact; transmission via spring contact)
Isolation	Functional insulation: 2000 VDC system/channel; 2000 VDC channel/channel
Indicators	LED (A-D) green: Function AI 1 ... AI 4; LED (E-H) red: Error AI 1 ... AI 4
Number of incoming power jumper contacts	2
Number of outgoing power jumper contacts	2
Current carrying capacity (power jumper contacts)	10 A

### Connection data

Connection technology: inputs/outputs	8 x CAGE CLAMP®
Connection type 1	Inputs/outputs
Solid conductor	0.08 ... 2.5 mm <sup>2</sup> / 28 ... 14 AWG
Fine-stranded conductor	0.08 ... 2.5 mm <sup>2</sup> / 28 ... 14 AWG
Strip length	8 ... 9 mm / 0.31 ... 0.35 inches

### Physical data

Width	12 mm / 0.472 inches
Height	100 mm / 3.937 inches
Depth	69.8 mm / 2.748 inches
Depth from upper-edge of DIN-rail	62.6 mm / 2.465 inches

### Mechanical data

Mounting type	DIN-35 rail
---------------	-------------

### Material data

Housing material	Polycarbonate; polyamide 6.6
Fire load	0.967 MJ
Weight	51.2 g
Conformity marking	CE

### Environmental requirements

Ambient temperature (operation)	0 ... +55 °C
Ambient temperature (storage)	-25 ... +85 °C
Protection type	IP20
Pollution degree	2 per IEC 61131-2
Operating altitude	0 ... 2000 m / 0 ... 6562 ft
Mounting position	horizontal (standing/lying); vertical
Relative humidity (without condensation)	95 %
Vibration resistance	4g per IEC 60068-2-6
Shock resistance	15g per IEC 60068-2-27
EMC immunity to interference	per EN 61000-6-2, marine applications
EMC emission of interference	per EN 61000-6-4, marine applications
Exposure to pollutants	per IEC 60068-2-42 and IEC 60068-2-43
Permissible H <sub>2</sub> S contaminant concentration at a relative humidity 75 %	10 ppm
Permissible SO <sub>2</sub> contaminant concentration at a relative humidity 75 %	25 ppm

### Commercial data

eCl@ss 10.0	27-24-26-01
eCl@ss 9.0	27-24-26-01
ETIM 8.0	EC001596
ETIM 7.0	EC001596
PU (SPU)	1 pcs
Packaging type	Box
Country of origin	DE
GTIN	4055143764520
Customs tariff number	85389099990