

GENERAL PURPOSE RELAY 14-PINS

SRN-14 SERIES

VTEKE®

www.vteke.com.tr

FEATURES

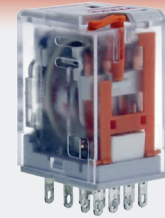
This relay is manufactured according to IEC- 61810-1 standard. It is occupied with test mechanism and indication LED. AC relays has orange color mechanism parts while DC relays has blue mechanism parts.

CODES

AC Coil Codes	Nominal Voltage VAC	Operate Voltage VAC	Release Voltage VAC	Coil Resistance $\Omega \pm 10\%$
SRN-14-012-AC	12	9.6	3.6	42
SRN-14-024-AC	24	19.2	7.20	168
SRN-14-048-AC	48	38.4	14.4	675
SRN-14-060-AC	60	48	18	1140
SRN-14-110-AC	110	96.0	36.0	3500
SRN-14-230-AC	230	176.0	66.0	14000
DC Coil Codes	Nominal Voltage VDC	Operate Voltage VDC	Release Voltage VDC	Coil Resistance $\Omega \pm 10\%$
SRN-14-012-DC	12	9.6	1.2	160
SRN-14-024-DC	24	19.2	2.4	640
SRN-14-048-DC	48	38.4	4.8	2560

TECHNICAL DATA

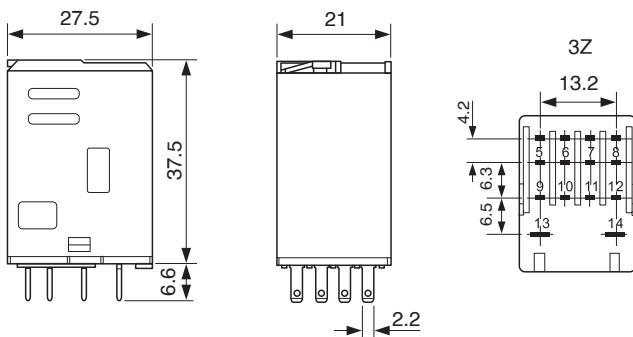
PARAMETER	VALUE
Insulation Resistance	$\geq 500M\Omega$ 500VDC
Ambient Temperature	-40°C~+70°C (No condensation)
Dielectric Strength	Between coil and contact $\geq 1500V$ AC1min
	Between open contact $\geq 1000V$ AC1min
	Between contacts $\geq 1500V$ AC1min
Operate / Release Time	$\leq 25ms/25ms$
Terminal Type	Socket mounting
Rated Coil Power	0.9W/1.2VA
Contact Form	4Z, 4H, 4D
Contact Resistance	$\leq 100M\Omega$ (1A 6VDC)
Contact Material	AgCdO, AgSnO2
Contact Capacity	5A 250VAC/30VDC



MATCHED SOCKET RELAY SOCKET 14 PINS SRN-14-SOK



DIMENSIONS



CONNECTION DIAGRAM BOTTOM VIEW

