

# PHOTOCELL RELAY

PCR-03

**VTEKE**<sup>®</sup>

www.vteke.com.tr

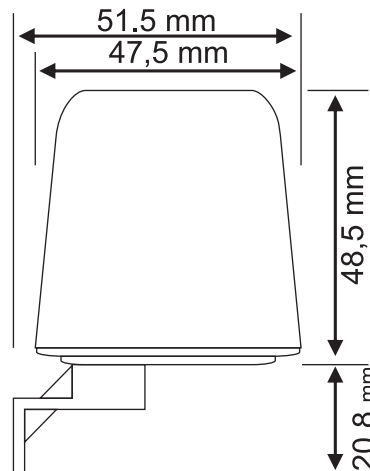
TECHNICAL SPECIFICATIONS

PARAMETER	VALUE
Operating Voltage	220V AC
Operating Frequency	50 / 60 Hz
Operating Power	<4VA
Operating Temperature	-20°C.....55°C
Weight	<100Gr
Waiting Time	20sec-60sec fixed
Luminous Intensity	10Lux fixed
Contact	1NO 7A/250VAC
Protection Class	IP20
Connection Type	Cable Terminal
Cable Diameter	Max 1mm2
Mounting	Vertical on panel or wall
Working Altitude	<2000 meter

PHOTO



DIMENSIONS



CONNECTION DIAGRAM

