

EARTH LEAKAGE RELAY

ELR-V1

VTEKE[®]

www.vteke.com.tr

FEATURES

Modular type **Earth Leakage Relay ELR-V1** is designed to protect load and lines against grounding fault. Thanks for adjustable reset time and leakage current trip setpoint nobbs, ELR can be used in various applications where grounding fault or insulation failure needed to be protected.

- Compact case.
- Adjustable leakage current threshold to monitor true RMS from 30mA to 30A.
- Adjustable time delay from 0 to 9sec.
- Suitable for single phase 2 wire and for 3-phase 3 or 4 wire systems.
- Leakage level indication by 4 LEDs to by level of 25%, 50%, 75% or 100%.
- Can be rest or test remotely by external butoon or from the device front panel button.
- It detects CBCT absence or short circuit.



TECHNICAL DATA

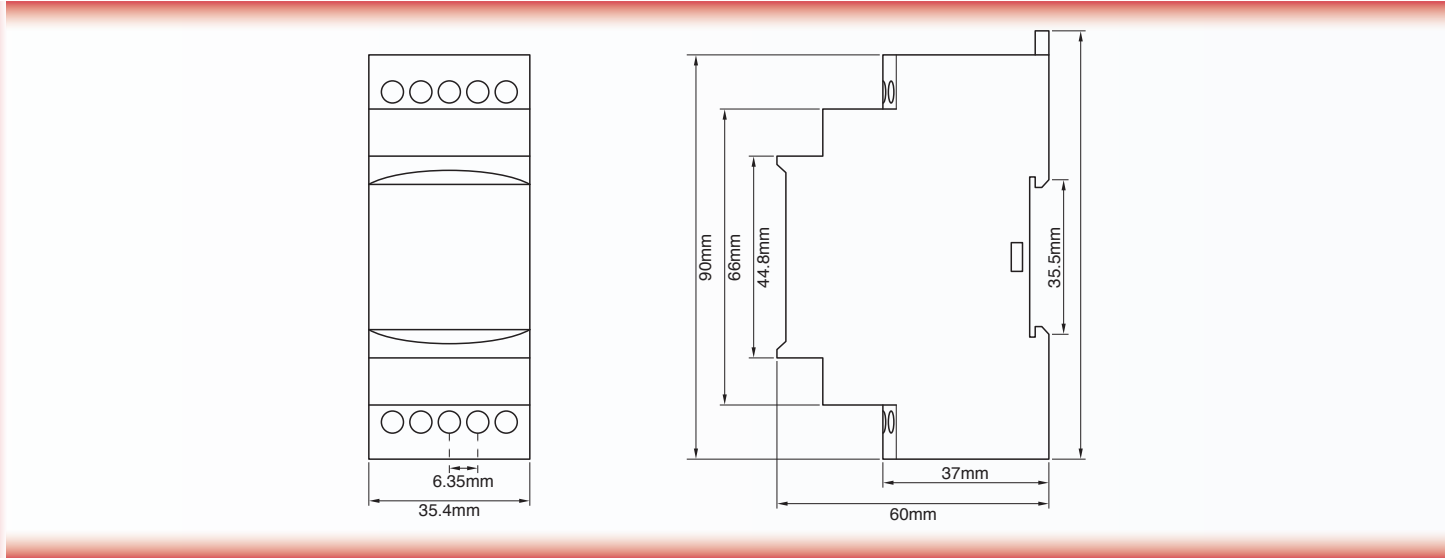
PARAMETER	VALUE
Standard	IEC 60947-2 / IEC 60947-2 LV directive 2014/35/EU EMC directive 2014/30/EU
Supply Voltage	24-270 VAC/DC
Frequency	50/60 Hz
Power Consumption	2VA
CBCT Type	Only VTEKE VTOR series can be used.
Monitored Leakage Current trip options	30mA, 100mA, 300mA, 500mA 1A, 3A, 5A, 10A, 20A, 30A
Trip Level Limits	±%5 of set leakage current value
Time Delay	0 (<40 msec), 0.15, 0.25, 0.50, 1, 2, 3, 5, 7, 9 sec
Reset Time	1 sec
CBCT Detection Function	CBCT absent or short
Accuracy	Current + - %5 of Set Trip Current Time + - %5 of Set Trip Time +0 (<40 msn)
Test/Reset Facility	Front (button) Remote (through terminal contact)
Reset Enable Level	Below %90 of tripped level in presence of CBCT



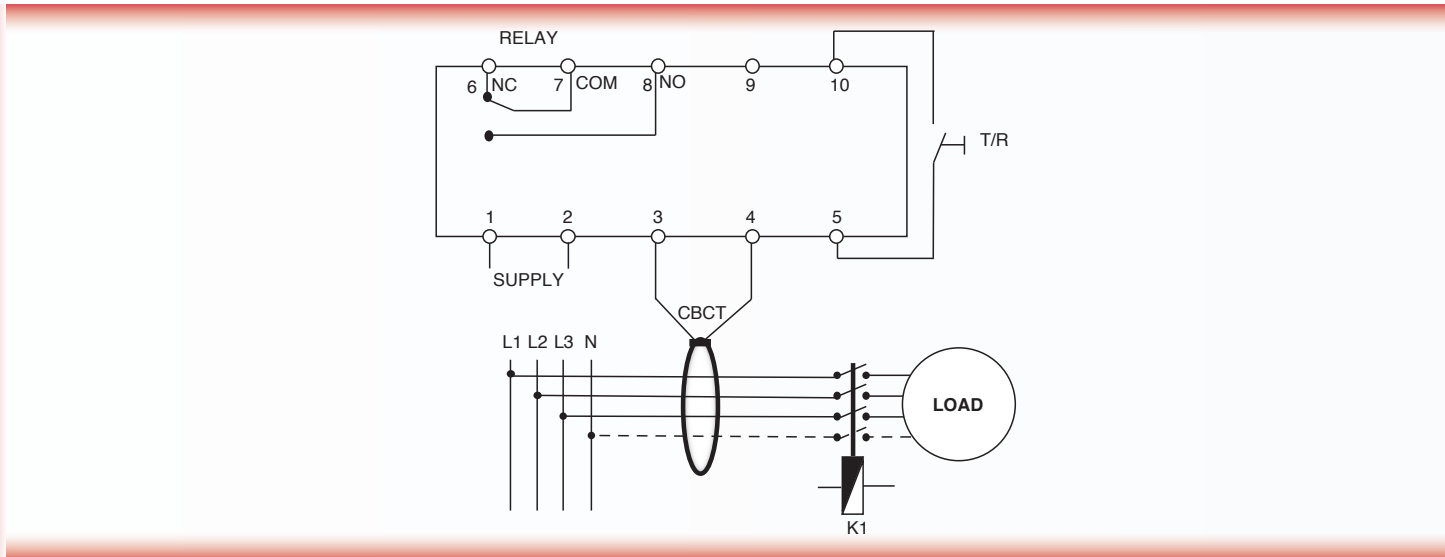
TECHNICAL DATA

PARAMETER	VALUE
Temperature	Operating -10C to +70C Storage -25C to +70C
Operating Max Altitude	2000m
Degree of Protection of Device	IP20
Mounting	DIN Rail 35mm
Terminals	Screw terminals. Cable size AWG30 to AWG12 (0.6 mm ² to 3.3 mm ²) stranded or solid
Case Material	ABS
Weight	115 gr
Dimensions	30x90x58

DIMENSIONS



CONNECTION DIAGRAM



LED INDICATION STATUS

CONDITIONS	ON	25%	50%	75%	Tripped
Power ON	On	Off	Off	Off	Off
Tripped Indication	On	On	On	On	On
CBCT Absent / Short	On	Blink	Blink	Blink	Blink
%25 Leakage Current	On	On	Off	Off	Off
%50 Leakage Current	On	On	On	Off	Off
%75 Leakage Current	On	On	On	On	Off

CORE BALANCE CURRENT TRANSFORMER

VTOR SERIES

VTEKE[®]

www.vteke.com.tr

FEATURES

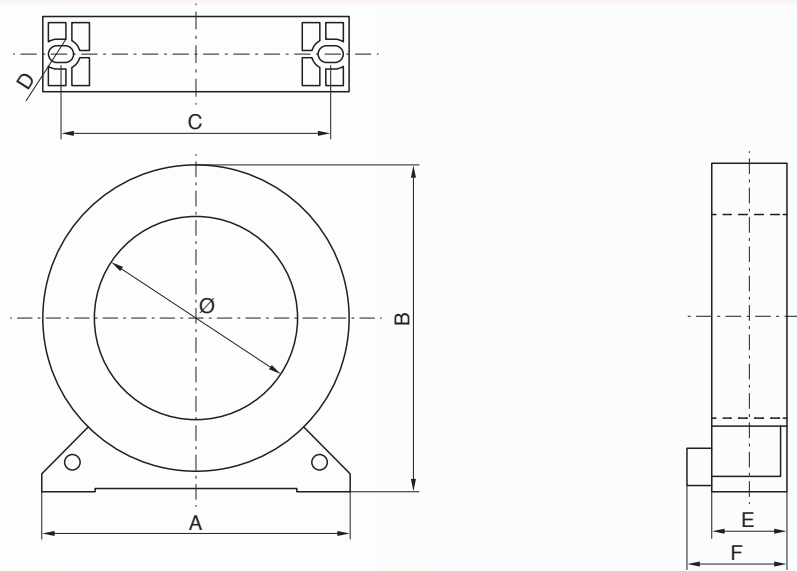
VTOR Series is a circular residual current transformer that is suitable for indoor uses. It is encapsulated with epoxy resin so it has stable operation, high precision and moisture resistance. The hole diameter varies between 45mm to 150mm.

TECHNICAL DATA

PARAMETER	VALUE
Supply Voltage	100-240VAC/DC
Frequency	50/60 Hz
Turn Ratio	1000/1
Accuracy Class	0.5
Test Voltage	3kV AC, 1min
Insulation Resistance	DC500V/100MΩ
Operation Temperature	-15C to +45C



DIMENSIONS



CODES

Code	Ø	A	B	C	D	E	F
VTOR-45-1	45	78	84	66	5	24	32
VTOR-80-1	80	113	119	101	5	26	34
VTOR-100-1	100	135	139	123	5	26	34
VTOR-150-1	150	187	195	170	5	27	35