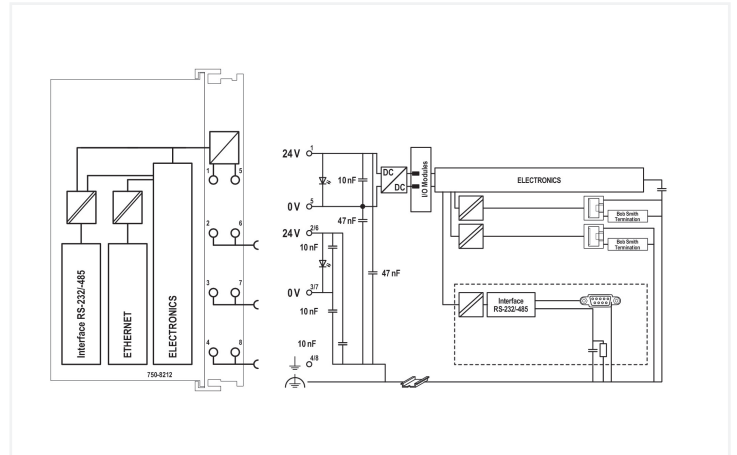


<https://www.wago.com/750-8212>

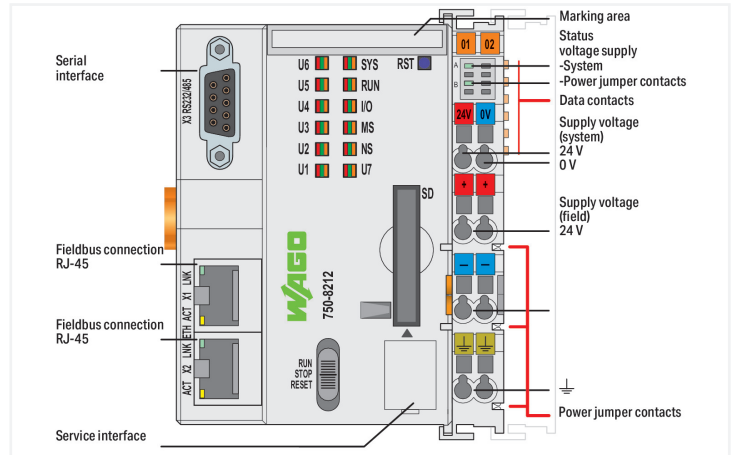


Color: light gray



PFC200 Communication Options Overview

Option	Part No.	Description	Part No.	Part No.
1	750-8212	Controller PFC200 (2nd Generation)	750-8212	750-8212-0000
2	750-8212	Controller PFC200 (2nd Generation)	750-8212	750-8212-0000
3	750-8212	Controller PFC200 (2nd Generation)	750-8212	750-8212-0000
4	750-8212	Controller PFC200 (2nd Generation)	750-8212	750-8212-0000
5	750-8212	Controller PFC200 (2nd Generation)	750-8212	750-8212-0000
6	750-8212	Controller PFC200 (2nd Generation)	750-8212	750-8212-0000
7	750-8212	Controller PFC200 (2nd Generation)	750-8212	750-8212-0000
8	750-8212	Controller PFC200 (2nd Generation)	750-8212	750-8212-0000
9	750-8212	Controller PFC200 (2nd Generation)	750-8212	750-8212-0000
10	750-8212	Controller PFC200 (2nd Generation)	750-8212	750-8212-0000
11	750-8212	Controller PFC200 (2nd Generation)	750-8212	750-8212-0000
12	750-8212	Controller PFC200 (2nd Generation)	750-8212	750-8212-0000
13	750-8212	Controller PFC200 (2nd Generation)	750-8212	750-8212-0000
14	750-8212	Controller PFC200 (2nd Generation)	750-8212	750-8212-0000
15	750-8212	Controller PFC200 (2nd Generation)	750-8212	750-8212-0000
16	750-8212	Controller PFC200 (2nd Generation)	750-8212	750-8212-0000
17	750-8212	Controller PFC200 (2nd Generation)	750-8212	750-8212-0000
18	750-8212	Controller PFC200 (2nd Generation)	750-8212	750-8212-0000
19	750-8212	Controller PFC200 (2nd Generation)	750-8212	750-8212-0000
20	750-8212	Controller PFC200 (2nd Generation)	750-8212	750-8212-0000
21	750-8212	Controller PFC200 (2nd Generation)	750-8212	750-8212-0000
22	750-8212	Controller PFC200 (2nd Generation)	750-8212	750-8212-0000
23	750-8212	Controller PFC200 (2nd Generation)	750-8212	750-8212-0000
24	750-8212	Controller PFC200 (2nd Generation)	750-8212	750-8212-0000
25	750-8212	Controller PFC200 (2nd Generation)	750-8212	750-8212-0000
26	750-8212	Controller PFC200 (2nd Generation)	750-8212	750-8212-0000
27	750-8212	Controller PFC200 (2nd Generation)	750-8212	750-8212-0000
28	750-8212	Controller PFC200 (2nd Generation)	750-8212	750-8212-0000
29	750-8212	Controller PFC200 (2nd Generation)	750-8212	750-8212-0000
30	750-8212	Controller PFC200 (2nd Generation)	750-8212	750-8212-0000
31	750-8212	Controller PFC200 (2nd Generation)	750-8212	750-8212-0000
32	750-8212	Controller PFC200 (2nd Generation)	750-8212	750-8212-0000
33	750-8212	Controller PFC200 (2nd Generation)	750-8212	750-8212-0000
34	750-8212	Controller PFC200 (2nd Generation)	750-8212	750-8212-0000
35	750-8212	Controller PFC200 (2nd Generation)	750-8212	750-8212-0000
36	750-8212	Controller PFC200 (2nd Generation)	750-8212	750-8212-0000
37	750-8212	Controller PFC200 (2nd Generation)	750-8212	750-8212-0000
38	750-8212	Controller PFC200 (2nd Generation)	750-8212	750-8212-0000
39	750-8212	Controller PFC200 (2nd Generation)	750-8212	750-8212-0000
40	750-8212	Controller PFC200 (2nd Generation)	750-8212	750-8212-0000
41	750-8212	Controller PFC200 (2nd Generation)	750-8212	750-8212-0000
42	750-8212	Controller PFC200 (2nd Generation)	750-8212	750-8212-0000
43	750-8212	Controller PFC200 (2nd Generation)	750-8212	750-8212-0000
44	750-8212	Controller PFC200 (2nd Generation)	750-8212	750-8212-0000
45	750-8212	Controller PFC200 (2nd Generation)	750-8212	750-8212-0000
46	750-8212	Controller PFC200 (2nd Generation)	750-8212	750-8212-0000
47	750-8212	Controller PFC200 (2nd Generation)	750-8212	750-8212-0000
48	750-8212	Controller PFC200 (2nd Generation)	750-8212	750-8212-0000
49	750-8212	Controller PFC200 (2nd Generation)	750-8212	750-8212-0000
50	750-8212	Controller PFC200 (2nd Generation)	750-8212	750-8212-0000



The PFC200 Controller is a compact PLC for the modular WAGO I/O System. Besides network and fieldbus interfaces, the controller supports all digital, analog and specialty modules found within the 750/753 Series.

Two ETHERNET interfaces and an integrated switch enable line topology wiring.

An integrated Webserver provides user configuration options, while displaying PFC200 status information.

Besides the processing industry and building automation, typical applications for the PFC200 include standard machinery and equipment control (e.g., packaging, bottling and manufacturing systems, as well as textile, metal and wood processing machines).

Programming per IEC 61131-3

- Programmable via WAGO-I/O-PRO V2.3 or *e!COCKPIT*
- Direct connection of WAGO's I/O modules
- 2 x ETHERNET (configurable), RS-232/485
- Linux operating system with RT-Preempt patch
- Configuration via CODESYS, *e!COCKPIT* or Web-Based Management interface
- Maintenance-free

Technical data	
Communication	Modbus TCP master/slave Modbus (UDP), WagoAppPlcModbus Library Modbus (RTU), WagoAppPlcModbus Library ETHERNET EtherNet/IP™ Adapter (slave) EtherNet/IP™ Scanner EtherCAT® Master OPC UA Server/Client OPC UA Pub/Sub (can be installed later) MQTT RS-232 serial interface RS-485 interface BACnet/IP, requires an additional license Telecontrol protocols, requires an additional license

Technical data

ETHERNET protocols	DHCP DNS NTP FTP FTPS SNMP HTTP HTTPS SSH
Telecontrol protocols	IEC 60870 (additional license as slave or master) IEC 61850 (additional license as Client or Server) DNP3 (additional license as Slave or Master)
Visualization	Web-Visu
Operating system	Real-time Linux (with RT-Preempt patch)
CPU	Cortex A8; 1 GHz
Programming languages per IEC 61131-3	Instruction List (IL) Ladder Diagram (LD) Function Block Diagram (FBD) Continuous Function Chart (CFC) Structured Text (ST) Sequential Function Chart (SFC)
Programming environment	CODESYS V3.5, from firmware release 23 e! COCKPIT (based on CODESYS V3), up to firmware release 22 WAGO-I/O-PRO V2.3 (based on CODESYS V2.3), up to firmware release 22
Configuration options	CODESYS V3 e! COCKPIT WAGO-I/O-CHECK Web-Based Management e! RUNTIME library CODESYS Library
Baud rate (communication/fieldbus 1)	10/100 Mbit/s
Baud rate	ETHERNET: 10/100 Mbit/s
Transmission medium (communication/fieldbus)	ETHERNET: Twisted pair S-UTP; 100 Ω; Cat. 5; 100 m maximum cable length
Main memory (RAM)	512 MB
Internal memory (flash)	4096 MB
Non-volatile hardware memory	128 KB
Program memory	CODESYS V2: 16 MB; CODESYS V3: 32 MB
Data memory	CODESYS V2: 64 MB; CODESYS V3: 128 MB
Non-volatile software memory	128 KB 128 KB
Type of memory card	SD and SDHC up to 32 GB (all guaranteed properties only valid with WAGO Memory Card)
Memory card slot	Push-push mechanism; cover lid (sealable)
Number of modules per node (max.)	250
Number of modules without a bus extension (max.)	64
Input and output process image (internal) max.	1000 words/1000 words
Input and output process image (Modbus®) max.	CODESYS V2: 1000 words/1000 words; CODESYS V3: 32000 words/32000 words
Indicators	LED (SYS, RUN, I/O, U1 ... U7) red/green/orange: Status of system, program, local data bus, status programmable by user (can be used via CODESYS library); LED (A, B) green: Status of system power supply, field supply
Supply voltage (system)	24 VDC (-25 ... +30 %); via pluggable connector (CAGE CLAMP® connection)
Input current (typ.) at nominal load (24 V)	550 mA
Total current (system supply)	1700 mA
Supply voltage (field)	24 VDC (-25 ... +30 %); via power jumper contacts
Current carrying capacity (power jumper contacts)	10 A
Number of outgoing power jumper contacts	3
Isolation	500 V system/field

Connection data

Connection technology: communication/fieldbus	Modbus (TCP, UDP): 2 x RJ-45; Modbus® RTU: 1 x D-sub 9 socket; RS-232 serial interface: 1 x D-sub 9 socket; RS-485 interface: 1 x D-sub 9 socket
Connection technology: system supply	2 x CAGE CLAMP®
Connection technology: field supply	6 x CAGE CLAMP®
Connection type 1	System/field supply
Solid conductor	0.08 ... 2.5 mm ² / 28 ... 14 AWG
Fine-stranded conductor	0.08 ... 2.5 mm ² / 28 ... 14 AWG
Strip length	8 ... 9 mm / 0.31 ... 0.35 inches
Connection technology: device configuration	1 x Male connector; 4-pole

Physical data

Width	78.6 mm / 3.094 inches
Height	100 mm / 3.937 inches
Depth	71.9 mm / 2.831 inches
Depth from upper-edge of DIN-rail	64.7 mm / 2.547 inches

Mechanical Data

Weight	214.8 g
Color	light gray
Housing material	Polycarbonate; polyamide 6.6
Conformity marking	CE

Environmental requirements

Ambient temperature (operation)	0 ... +55 °C
Surrounding air temperature (storage)	-25 ... +85 °C
Protection type	IP20
Pollution degree	2 per IEC 61131-2
Operating altitude	without temperature derating: 0 ... 2000 m; with temperature derating: 2000 ... 5000 m (0.5 K/100 m); 5000 m (max.)
Relative humidity (without condensation)	95 %
Mounting position	any
Mounting type	DIN-35 rail
Vibration resistance	4g per IEC 60068-2-6
Shock resistance	15g per IEC 60068-2-27
EMC immunity to interference	per EN 61000-6-2, marine applications
EMC emission of interference	per EN 61000-6-3, marine applications
Exposure to pollutants	per IEC 60068-2-42 and IEC 60068-2-43
Fire load	2.551 MJ
Permissible H ₂ S contaminant concentration at a relative humidity 75 %	10 ppm
Permissible SO ₂ contaminant concentration at a relative humidity 75 %	25 ppm

Commercial data

eCl@ss 10.0	27-24-26-07
eCl@ss 9.0	27-24-26-07
ETIM 8.0	EC000236
ETIM 7.0	EC000236
PU (SPU)	1 pcs
Packaging type	Box
Country of origin	DE
GTIN	4055143758789
Customs tariff number	85371091990

Subject to changes. Please also observe the further product documentation!

Current addresses can be found at: www.wago.com