


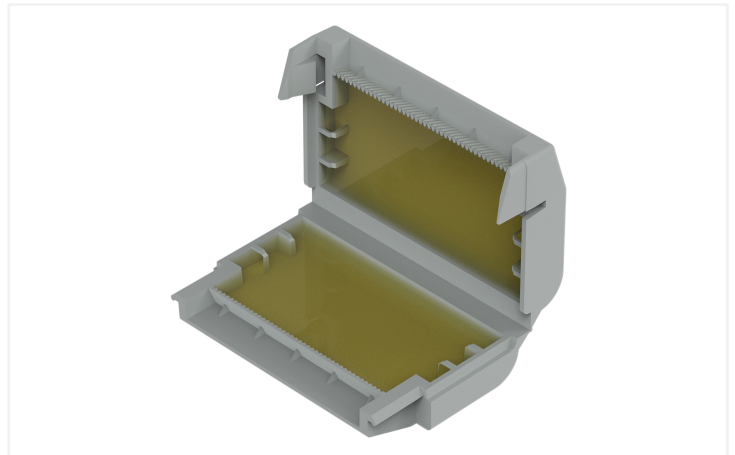
Data Sheet | Item Number: 207-1333

Gelbox; Branch; for cables; with gel; 221, 2x73 Series; max. 4 mm² connectors; without splicing connectors; Size 3; gray

<https://www.wago.com/207-1333>



Color:  gray



Data Sheet | Item Number: 207-1333

<https://www.wago.com/207-1333>



Note on Packaging Unit (PU) and Subpackaging Unit (SPU):

If you order a full PU, you will receive our eco-friendly, sustainable cardboard blisters packed in a shelf-ready box.

If you order a quantity smaller than a full PU, you will receive the eco-friendly, sustainable cardboard blisters without a shelf-ready box.

Please refer to the system description for the splicing connectors that can be used.

Your benefits:

- Easy, fast and safe to use
- Can be used immediately and accessed again later
- Silicon-free
- Label-free
- Suitable for indefinite storage
- The complete system consisting of WAGO's gelboxes and splicing connectors has been VDE-tested and IPX8-certified.

Connection data

Connection 1

Actuation type	Locking system
----------------	----------------

Physical data

Width	33.6 mm / 1.323 inches
Height	17.8 mm / 0.701 inches
Depth	52.7 mm / 2.075 inches

Mechanical Data

Mounting type	Flying leads
---------------	--------------

Material Data

Note (material data)	Information on material specifications can be found here
Color	gray
Housing material	Polypropylene
Fire load	0 MJ
Weight	21 g

Environmental requirements

Ambient temperature (operation)	-55 ... +85 °C
Surrounding air temperature (storage)	0 ... +40 °C

Commercial data

ETIM 8.0	EC001170
ETIM 7.0	EC001170
PU (SPU)	36 (3) pcs
Country of origin	DE
GTIN	4055143997805
Customs tariff number	85389099990

Subject to changes. Please also observe the further product documentation!

Current addresses can be found at: www.wago.com